

# 10/100BASE-T QUAD PORT SURFACE MOUNT MAGNETICS



- Meets IEEE 802.3 specification
- IC grade transfer-molded package withstands 245°C peak temperature profile

## Electrical Specifications @ 25°C — Operating Temperature 0°C to 70°C

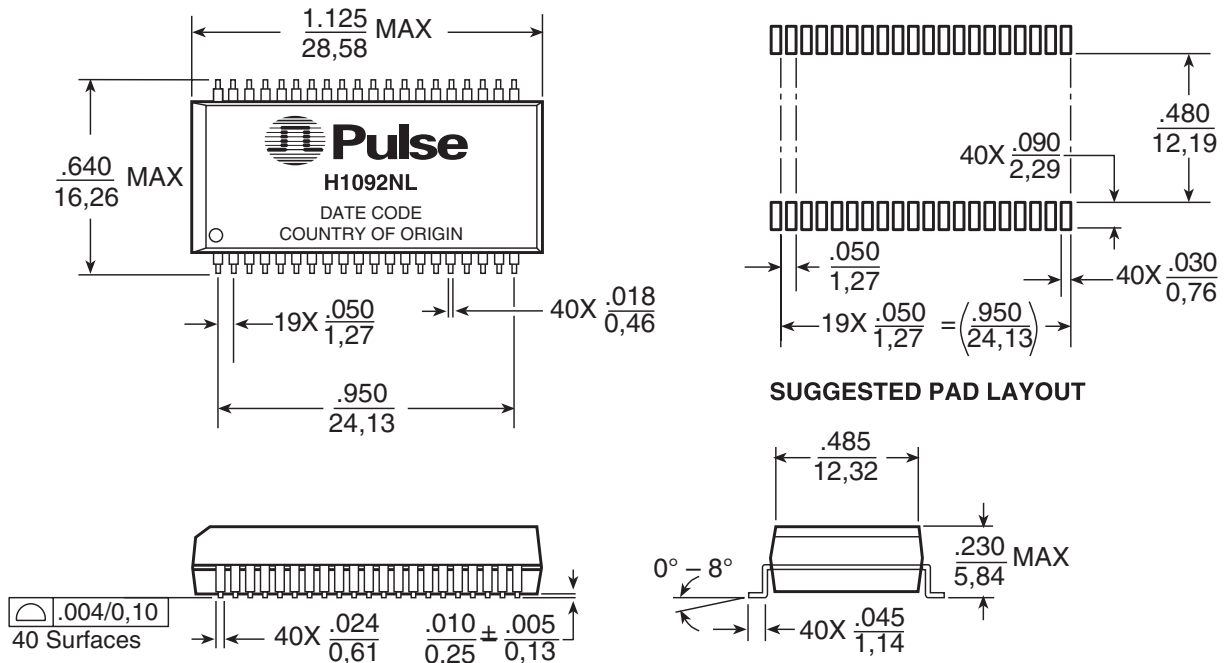
Part Number	Transmit Turns Ratio	Return Loss (dB TYP)				Crosstalk (dB TYP)				Common to Common Rejection Ratio 0.1-60 MHz (dB MIN)		Differential to Common Mode Rejection (dB MIN)	
	Pri-Sec	2-30 MHz	40 MHz	50 MHz	60-80 MHz	1 MHz	30 MHz	60 MHz	100 MHz	Transmit	Receive	0.1-60 MHz	60-200 MHz
H1092NL <sup>2d</sup>	$\sqrt{2}:1$	-18	-16	-14	-12	-60	-50	-40	-35	-35	-35	-40	-30

**NOTE:** All models meet breakdown (Hipot) of 1500 Vrms. Insertion Loss at 0.1-100 MHz is typically 0.5 dB.

1. For Tape & Reel packaging, add suffix "T" to the end of the part number when ordering, e.g. H10 92NLT.
2. MSL = Moisture Sensitivity: Level a = 1, b = 2, c = 3, d = 4, e = 5.

## Mechanical

### H1092NL



**Dimensions:**  $\frac{\text{Inches}}{\text{mm}}$

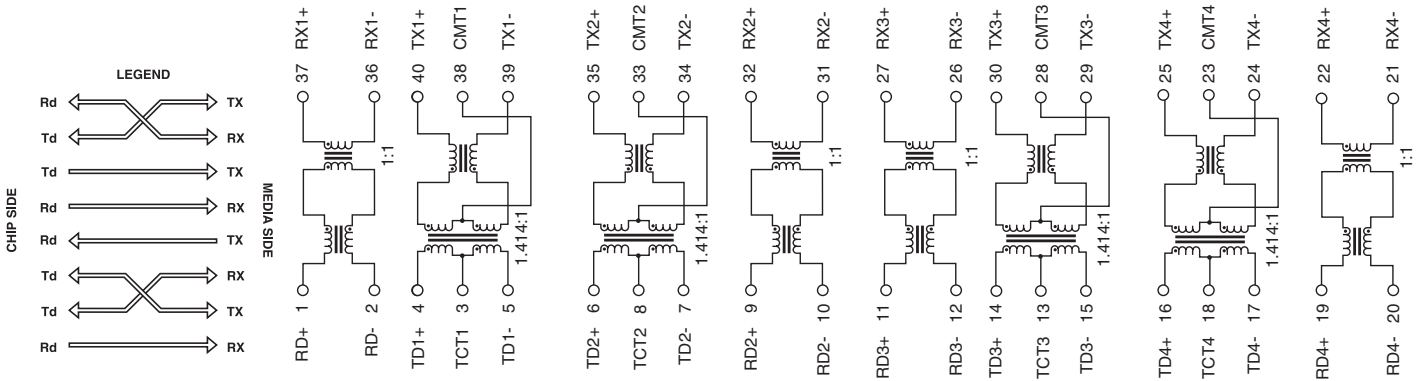
Unless otherwise specified, all tolerances are  $\pm \frac{.010}{0,25}$

# 10/100BASE-T QUAD PORT SURFACE MOUNT MAGNETICS

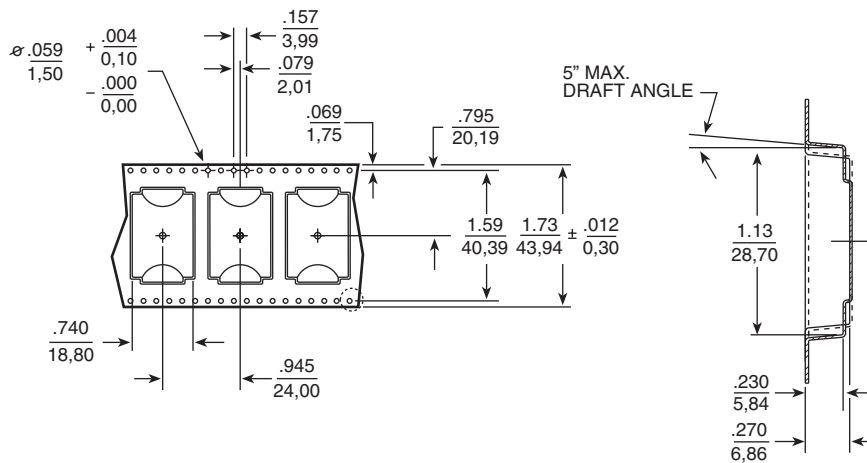


## Schematic

**H1092NL**



## Tape and Reel Specifications



### For More Information:

**Pulse Worldwide Headquarters**  
12220 World Trade Dr.  
San Diego, CA 92128  
U.S.A.

**Pulse Europe**  
Einsteinstrasse 1  
D-71083 Herrenberg  
Germany

**Pulse China Headquarters**  
B402, Shenzhen  
Tech-Innovation International  
Tenth Kejinan Rd.  
High-Tech Industrial Park  
Nanshan District, Shenzhen  
China

**Pulse North China**  
Room 1503  
XinYin Building  
No. 888 YiShan Rd.  
Shanghai 200233  
China

**Pulse South Asia**  
150 Kampong Ampat  
#07-01/02  
KA Centre  
Singapore 368324

**Pulse North Asia**  
No. 26, Kao Ching Rd.  
Yang Mei Chen  
Taoyuan Hsien  
Taiwan  
R. O. C.

[www.pulseeng.com](http://www.pulseeng.com)

Tel: 858 674 8100  
Fax: 858 674 8262

Tel: 49 7032 7806 0  
Fax: 49 7032 7806 135

Tel: 86 755 33966678  
Fax: 86 755 33966700

Tel: 86 21 54643211/2  
Fax: 86 21 54643210

Tel: 65 6287 8998  
Fax: 65 6280 0080

Tel: 886 3 4641811  
Fax: 886 3 4641911

Performance warranty of products offered on this data sheet is limited to the parameters specified. Data is subject to change without notice. Other brand and product names mentioned herein may be trademarks or registered trademarks of their respective owners.

© Copyright, 2007. Pulse Engineering, Inc. All rights reserved.